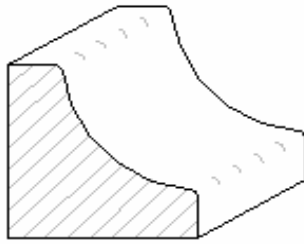
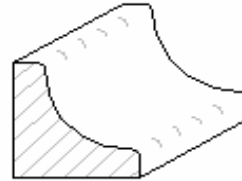


- * 20% upcharge for specified lengths.
- * Other species and profiles available. Lead time may vary; call for quote.
- * Prices subject to change without notice.
- * RL = RANDOM LENGTH *CL = CUT TO LENGTH
- * Random length for moulding is 4' to 16'; 75% of material will be 8' to 12'.

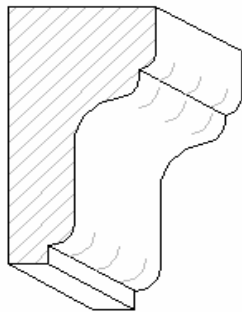
Coves



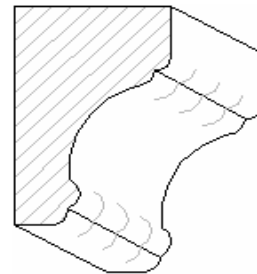
C601 - 3/4" x 3/4"
(formerly CV01)



C600 - 1/2" x 1/2"
(formerly CV04)

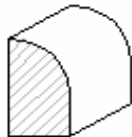


C602L - 3/4" x 1 7/16"
(formerly CV03)



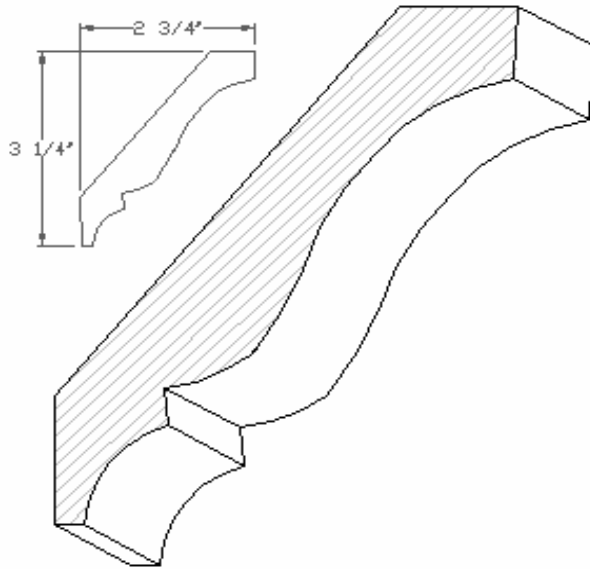
C6031 - 3/4" x 1 1/8"
(formerly CV10)

Base Shoe

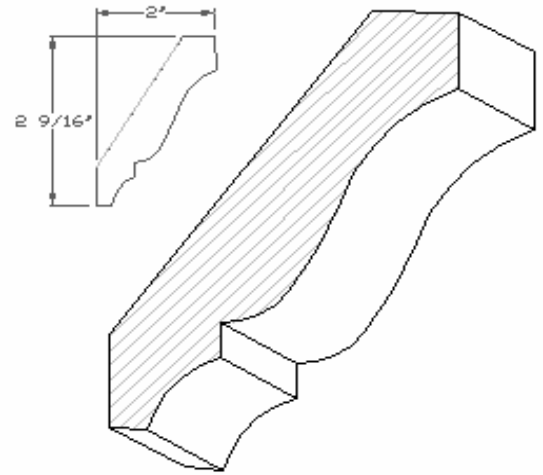


C200L - 7/16" x 3/4"
(formerly BSO1)

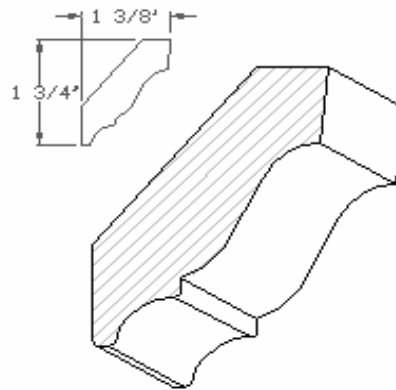
Crowns



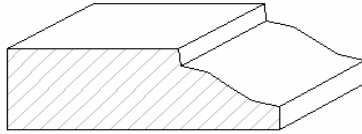
C614L - 3/4" x 4 1/8"
(formerly CR40)



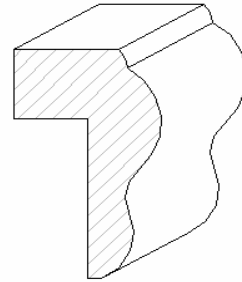
C610L - 11/16" x 3 1/4"
(formerly CR30)



C608L - 5/8" x 2 1/4"
(formerly CR20)



C303 - 7/16" x 1 3/8"



C451 - 3/4" x 1 1/4"